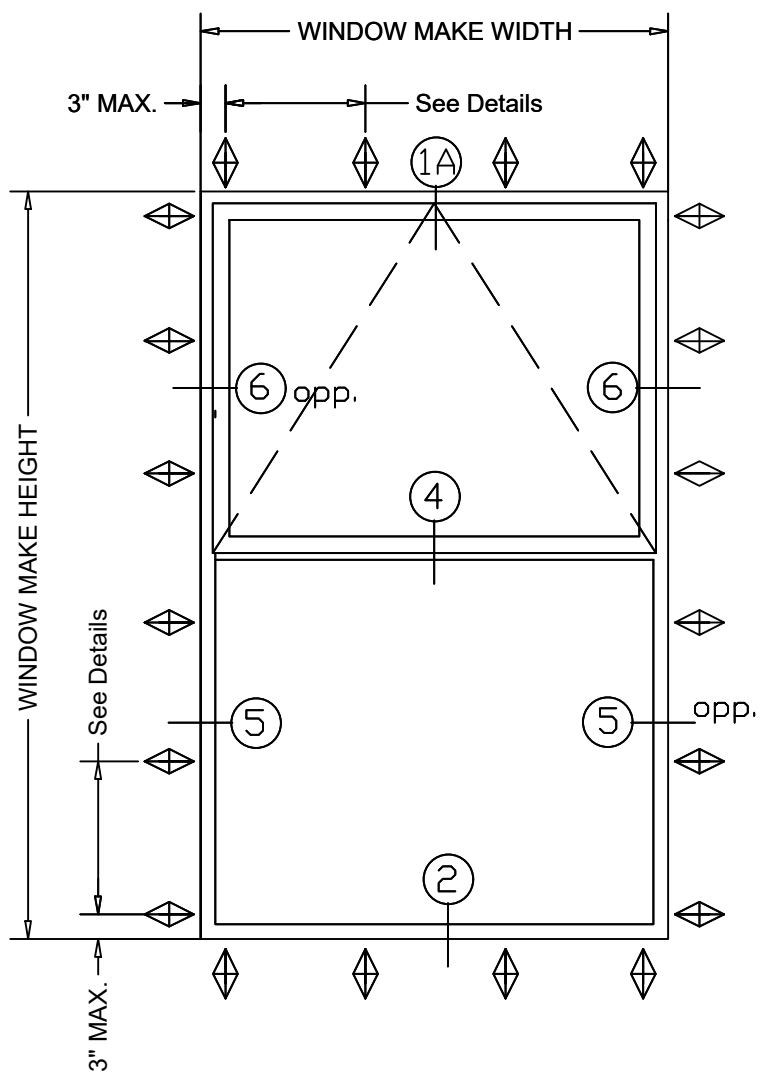
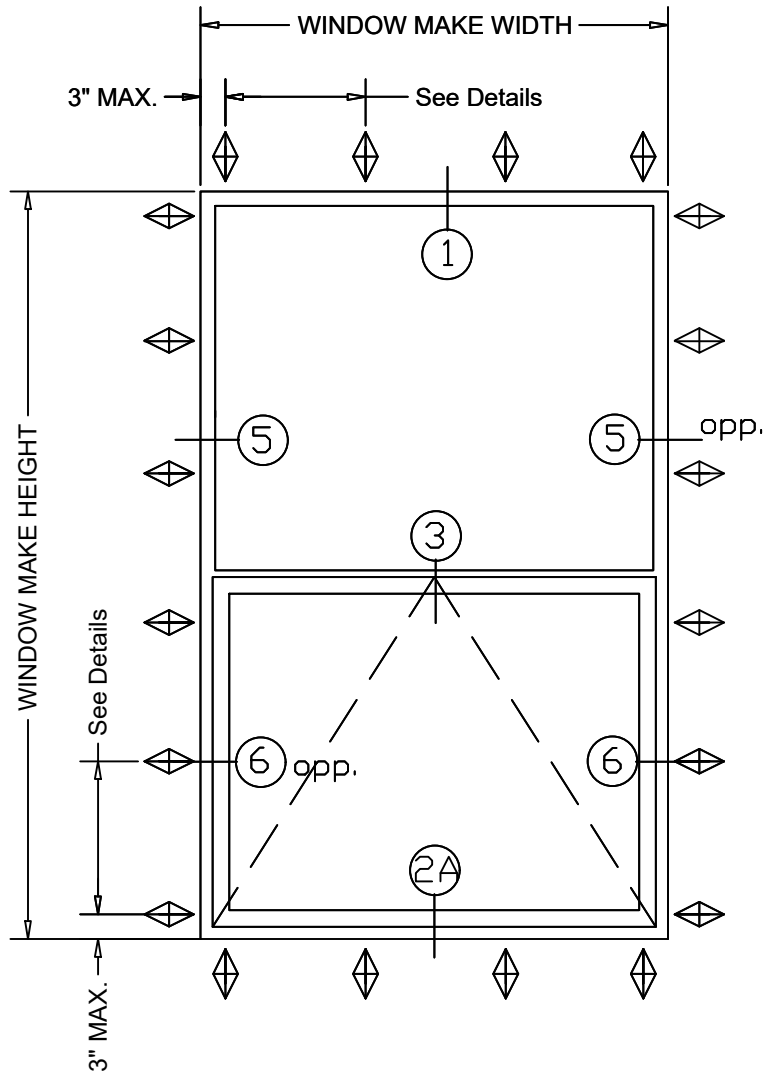


# M600 AWNING -FIXED & FIXED-AWNING WINDOW - INSTALLATION DETAILS



**Mark "A"**

Maximum				
FW	FH	DLO-W	DLO-H	Pressure
60"	96"	N/A	N/A	± 70 PSF
Vent		52 5/8"	40 5/8"	± 70 PSF
Fixed		56 1/4"	46 13/16"	± 70 PSF



**Mark "B"**

Maximum				
FW	FH	DLO-W	DLO-H	Pressure
60"	96"	N/A	N/A	± 70 PSF
Fixed		56 1/4"	46 13/16"	± 70 PSF
Vent		52 5/8"	40 5/8"	± 70 PSF

**Notes:**

1. Installations depicted satisfy the requirements of the 8th Edition (2023) of the Florida Building Code for Wind Pressures and Overall Sizes shown.
2. As Tested Anchor spacings are shown on the Elevations.
3. Wood Framing are assumed to S-P-F (G=0.42) or denser.
4. Metal stud frames are assumed to be a minimum 18 gauge 33 KSI Steel.
5. Concrete masonry (CMU) shall conform to ASTM C90.
6. Concrete shall be minimum  $f_c = 3,000$  psi.
7. Wood Screws shall meet requirements of ANSI/ASME B18.6.1.
8. TEKS screws shall be ASTM A510 Grade 1018 or equivalent.
9. Hilti Kwik-Con+ anchors as specified in NOA 21-0628.20
10. Maximum Frame Shim Space is 1/4" as shown. Shims shall be non-compressible load bearing type.
11. Exterior and Interior shall be sealed according to Shop Drawings.
12. Products are Not Impact Resistant and require an approved protection device if used in windborne debris regions.
13. Not for use in High Velocity Hurricane Zone (HVHZ).

**1" Insulating Glass  
Two lights 3/16" Annealed Glass  
with 5/8" Spacer**

Tanya A. Dolby, P.E.  
Intertek-ATI  
130 Derry Ct., York, PA 17406  
(717) 764-7700  
Project Q3930.01-122-34

ELEVATIONS

M600 AWN-FIX & FIX-AWN

INSTALLATION INSTRUCTIONS

Project Name:

**GENERAL NOTES**

Description: QUAKER WINDOW PRODUCTS WILL NOT BE RESPONSIBLE FOR FIELD MEASUREMENT, QUANTITIES, & INSTALLATION DESIGN. CONTRACTOR MUST VERIFY ALL DIMENSIONS.

PHONE (573)-744-5211  
 FAX (573)-744-5586  
 COMMERCIAL  
 FAX (573)-744-5822  
 www.quakerwindows.com

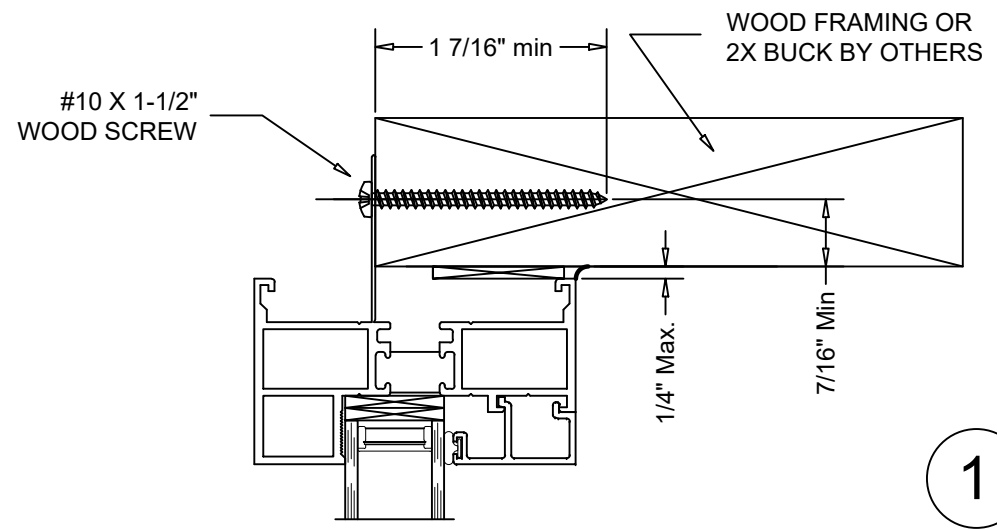
Scale: NONE  
 504 Highway 63 South  
 Freeburg, MO 65035  
 drafting@quakerwindows.com

Drawn By: BUD  
 Date: 10-05-2023

Sheet #: 1 of 7

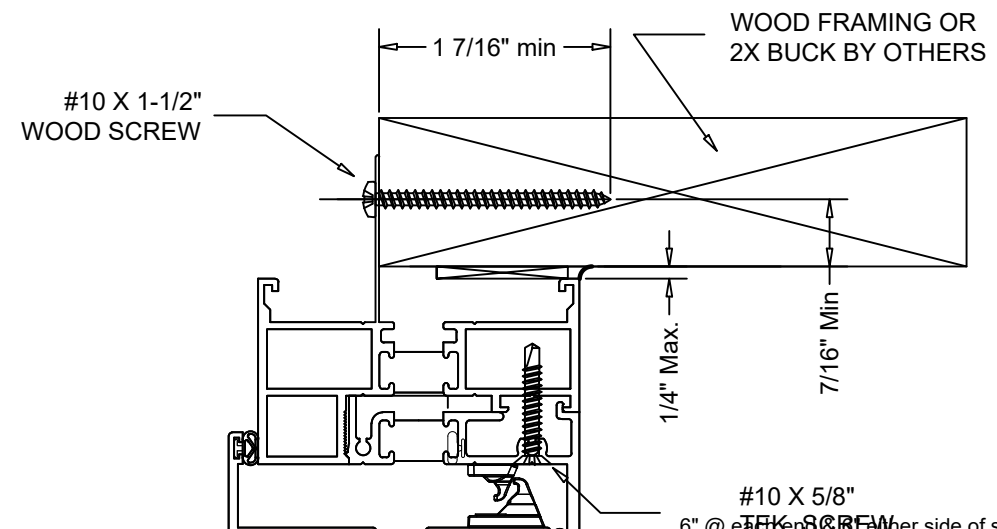
- Contents:**
- Sheet 1 of 7 - Elevations
  - Sheet 2 of 7 - Nail Fin install - Wood
  - Sheet 3 of 7 - Nail Fin install - Alternate Conditions
  - Sheet 4 of 7 - Receptor Install - Wood
  - Sheet 5 of 7 - Receptor Install - Alternate Conditions
  - Sheet 6 of 7 - Trim & Clip - Wood
  - Sheet 7 of 7 - Trim & Clip - Alternate Conditions

# M600 AWNING -FIXED & FIXED-AWNING WINDOW - NAIL FIN - WOOD SUBSTRAIT



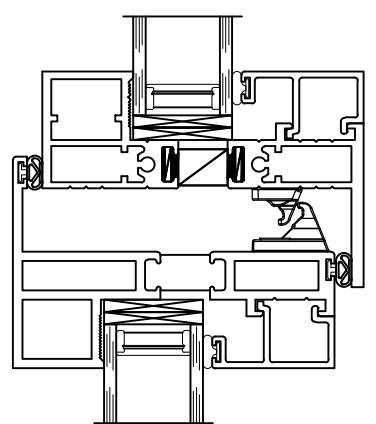
1

Anchor Spacing	
Head & Sill	15" O.C.
Jambs	15" O.C.

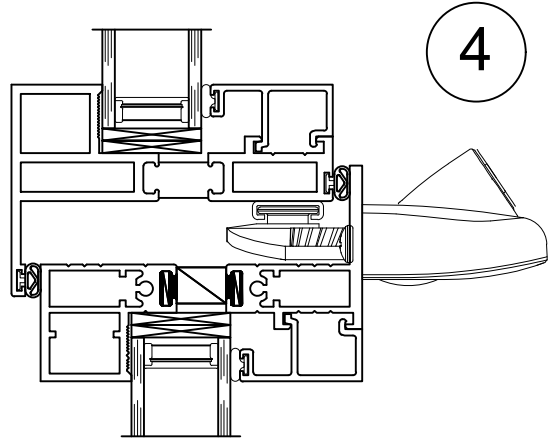


1A

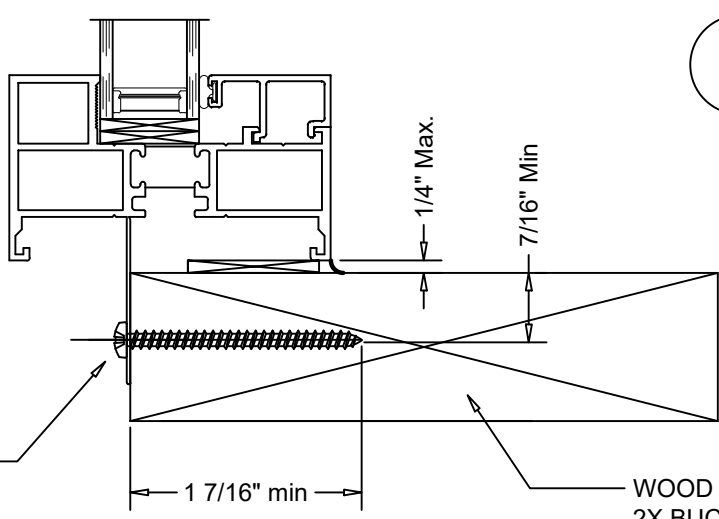
EXTERIOR



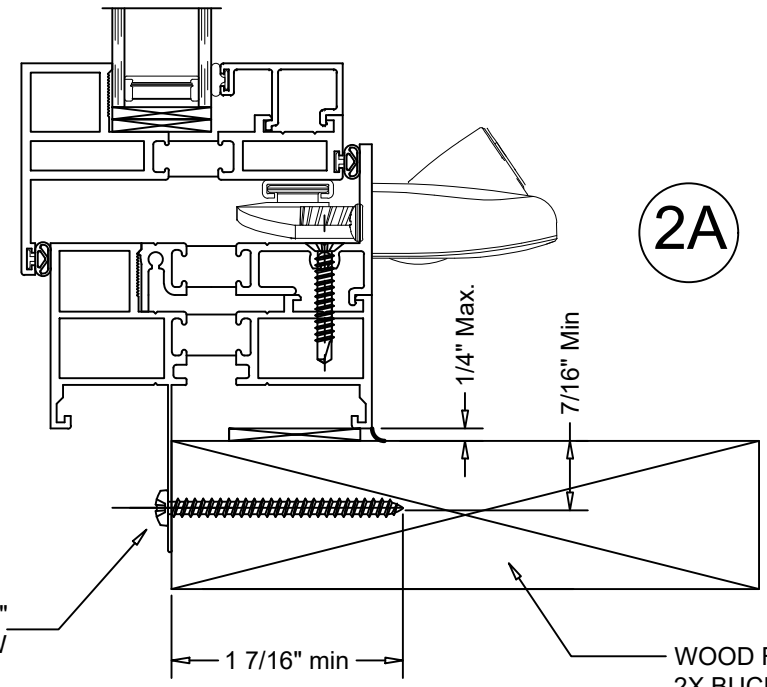
3



4



2



2A

#10 X 1-1/2" WOOD SCREW

1 7/16" min

1/4" Max.

7/16" Min

WOOD FRAMING OR 2X BUCK BY OTHERS

#10 X 1-1/2" WOOD SCREW

1 7/16" min

1/4" Max.

7/16" Min

WOOD FRAMING OR 2X BUCK BY OTHERS

Tanya A. Dolby, P.E.  
Intertek-ATI  
130 Derry Ct., York, PA 17406  
(717) 764-7700  
Project Q3930.01-122-34

## VERTICAL SECTION DETAIL WOOD FRAMING INSTALLATION

Project Name: **M600 A/F & F/A NAIL FIN - WOOD**

Installation Instructions

GENERAL NOTES

QUAKER WINDOW PRODUCTS WILL NOT BE RESPONSIBLE FOR FIELD MEASUREMENT, QUANTITIES, & INSTALLATION DESIGN. CONTRACTOR MUST VERIFY ALL DIMENSIONS.

PHONE (573)-744-5211  
FAX (573)-744-5586  
COMMERCIAL  
FAX (573)-744-5822  
www.quakerwindows.com

Scale: NONE

504 Highway 63 South  
Freeburg, MO 65035  
drafting@quakerwindows.com

Drawn By: BUD

Date: 10-05-2023

Sheet #: 2 of 7

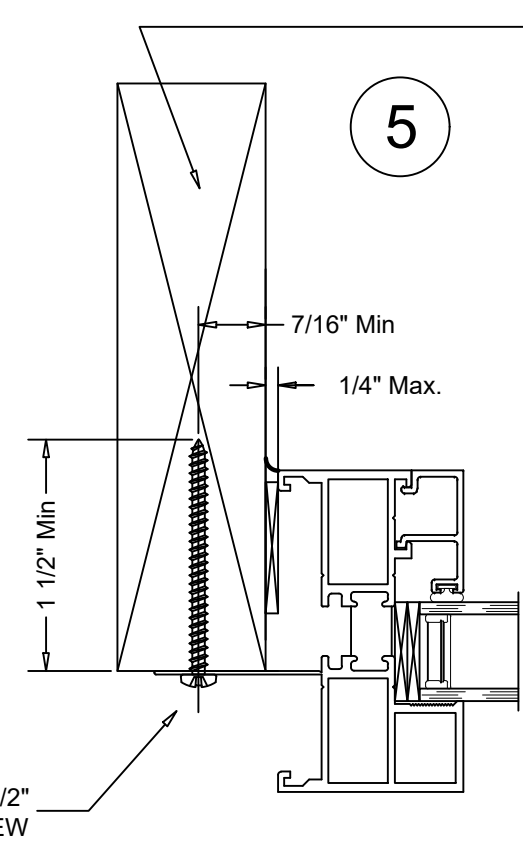
# M600 AWNING -FIXED & FIXED-AWNING WINDOW - NAIL FIN - WOOD SUBSTRAIT

Project Name: **M600 F/A/F**  
**NAIL FIN - WOOD**  
**INSTALLATION INSTRUCTIONS**

Tanya A. Dolby, P.E.  
 Intertek-ATI  
 130 Derry Ct., York, PA 17406  
 (717) 764-7700  
 Project Q3930.01-122-34

**GENERAL NOTES**  
 Description: QUAKER WINDOW PRODUCTS WILL NOT BE RESPONSIBLE FOR FIELD MEASUREMENT, QUANTITIES, & INSTALLATION DESIGN. CONTRACTOR MUST VERIFY ALL DIMENSIONS.

PHONE (573)-744-5211  
 FAX (573)-744-5586  
 COMMERCIAL  
 FAX (573)-744-5822  
 www.quakerwindows.com  
 Scale: NONE  
 504 Highway 63 South  
 Freeburg, MO 65035  
 drafting@quakerwindows.com  
 Sheet #: 3 of 7  
 Drawn By: **BUD**  
 Date: **10-05-2023**



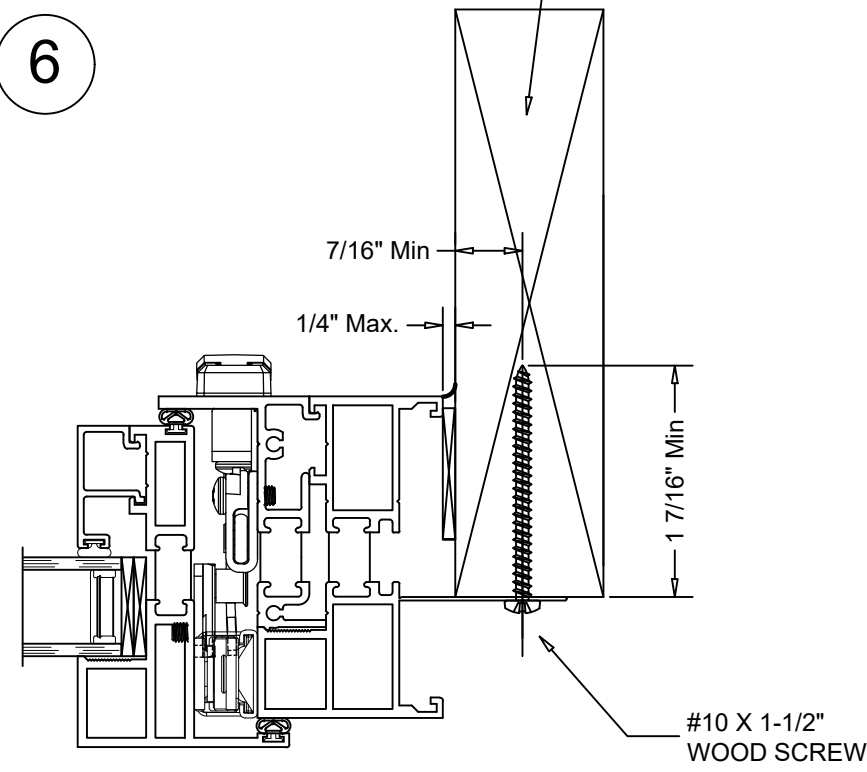
WOOD FRAMING OR  
 2X BUCK BY OTHERS

5

INTERIOR

Anchor Spacing	
Head & Sill	15" O.C.
Jambs	15" O.C.

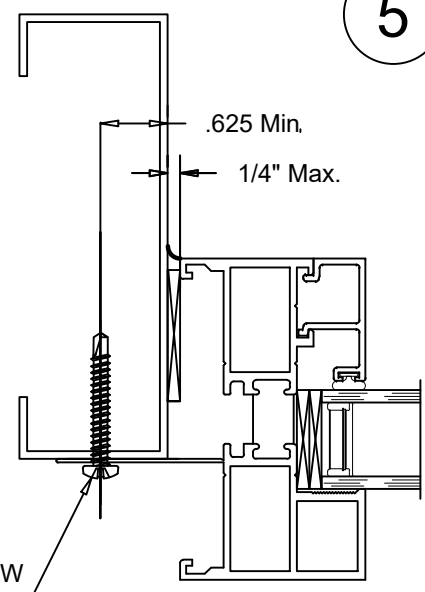
6



EXTERIOR

Anchor Spacing	
Head & Sill	15" O.C.
Jambs	13" O.C.

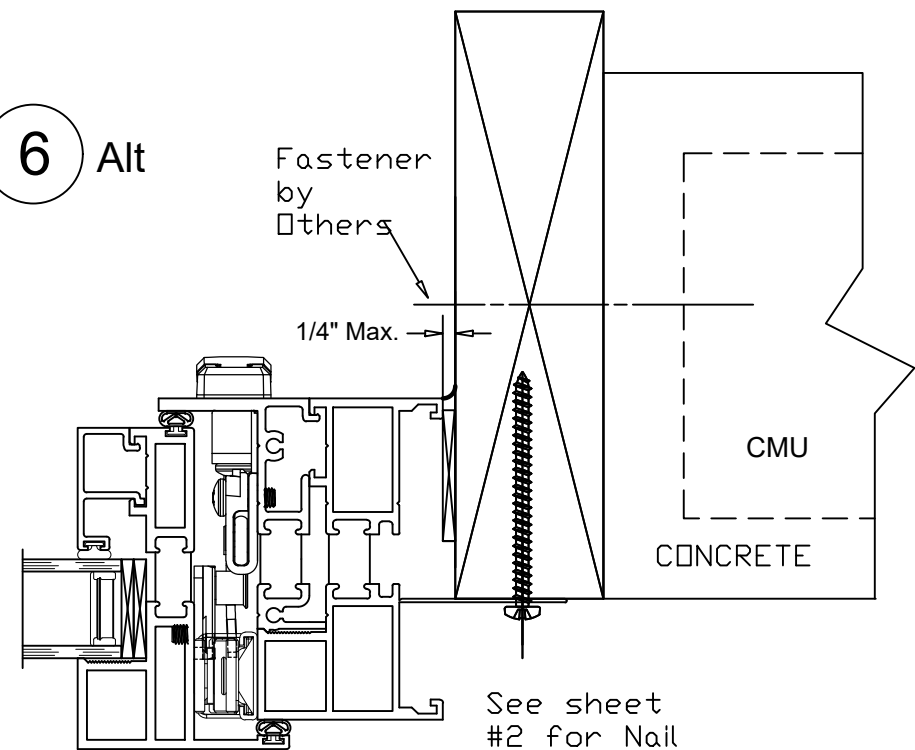
5 Alt



#10-16 TEKS SCREW  
 MIN 3 FULL THREAD  
 PENETRATION OF STEEL

HORIZONTAL SECTION DETAIL  
 WOOD FRAMING INSTALLATION

6 Alt



See sheet  
 #2 for Nail  
 Fin Install

# M600 AWNING -FIXED & FIXED-AWNING WINDOW - RECEPTOR - WOOD SUBSTRATE

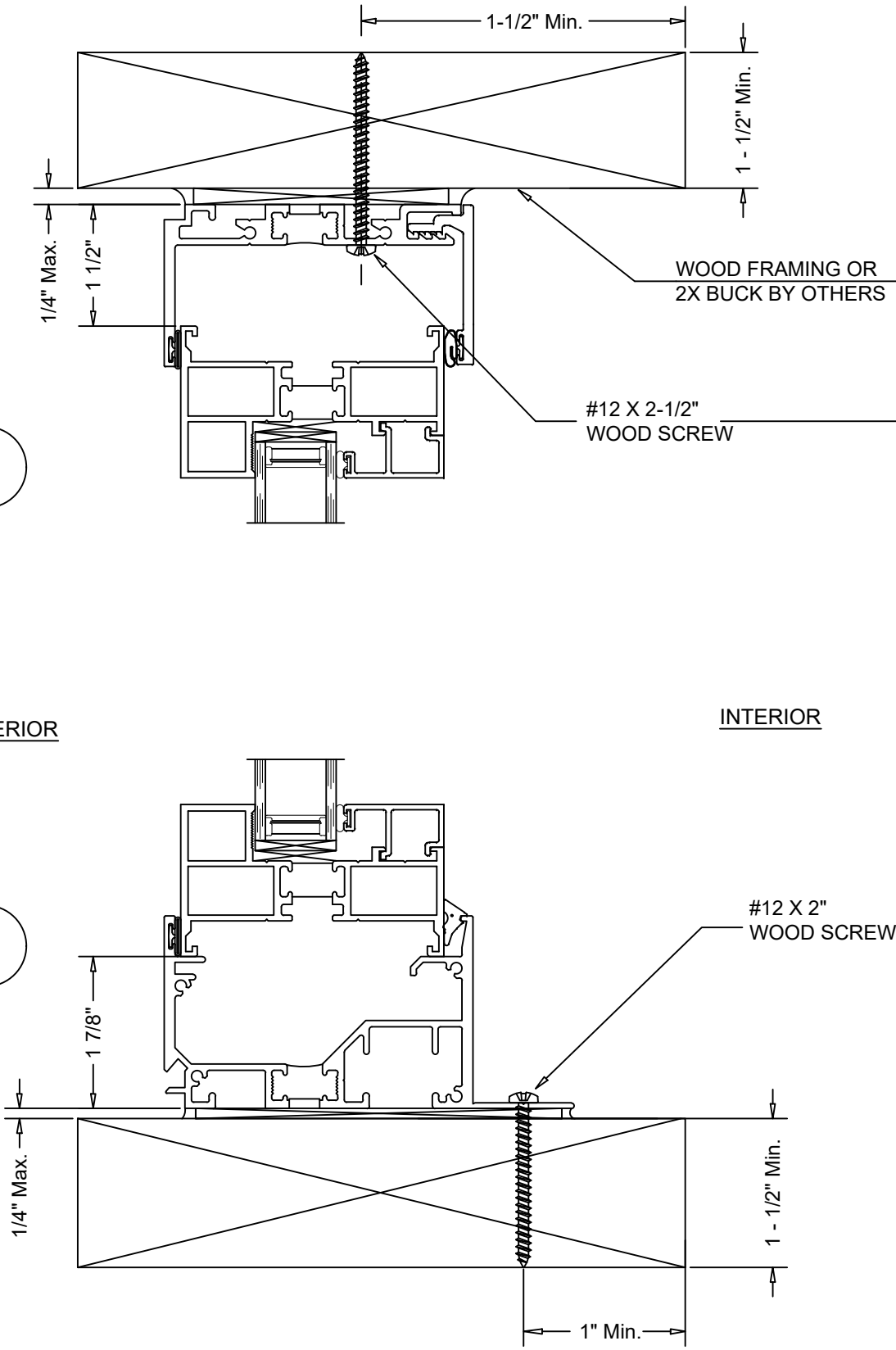
Note:  
See sheet 2 for Details 3 & 4

1

EXTERIOR

2

VERTICAL SECTION DETAIL  
WOOD FRAMING INSTALLATION



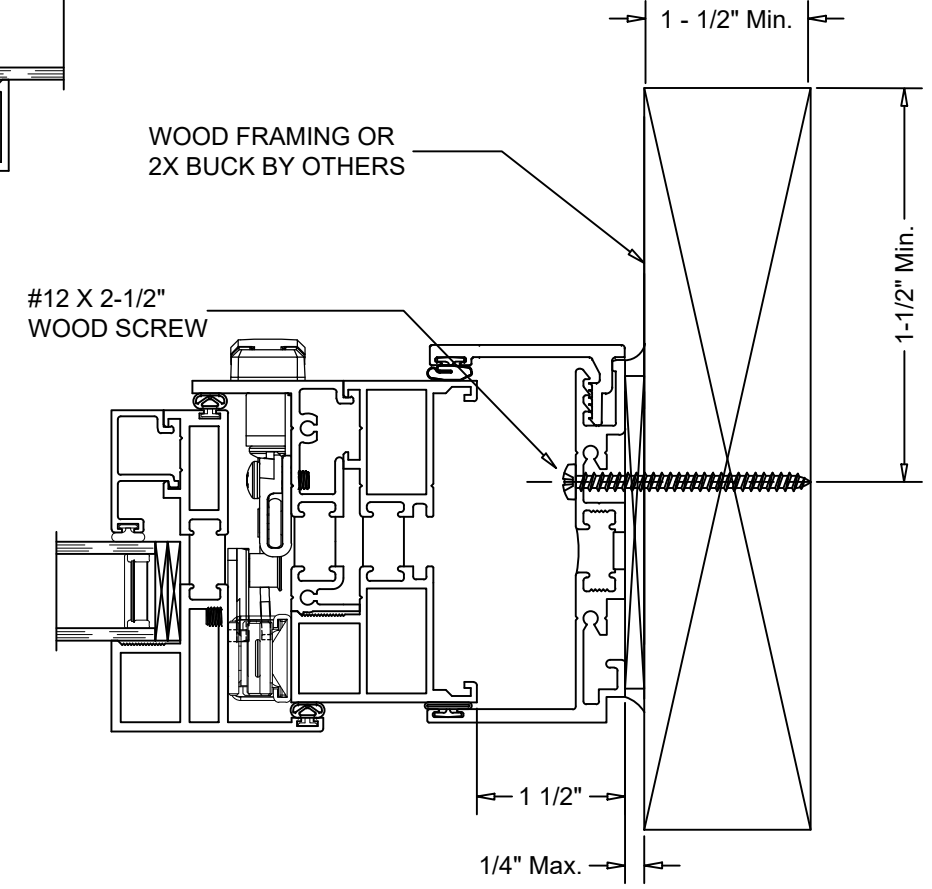
5

EXTERIOR

INTERIOR

Anchor Spacing	
Head & Sill	12" O.C.
Jams	8" O.C.

HORIZONTAL SECTION DETAIL  
WOOD FRAMING INSTALLATION



6

Tanya A. Dolby, P.E.  
Intertek-ATI  
130 Derry Ct., York, PA 17406  
(717) 764-7700  
Project Q3930.01-122-34

## GENERAL NOTES

QUAKER WINDOW PRODUCTS  
WILL NOT BE RESPONSIBLE  
FOR FIELD MEASUREMENT,  
QUANTITIES, & INSTALLATION  
DESIGN. CONTRACTOR MUST  
VERIFY ALL DIMENSIONS.

PHONE (573)-744-5211  
FAX (573)-744-5586  
COMMERCIAL  
FAX (573)-744-5822  
www.quakerwindows.com

Scale: NONE  
504 Highway 63 South  
Freeburg, MO 65035  
drafting@quakerwindows.com

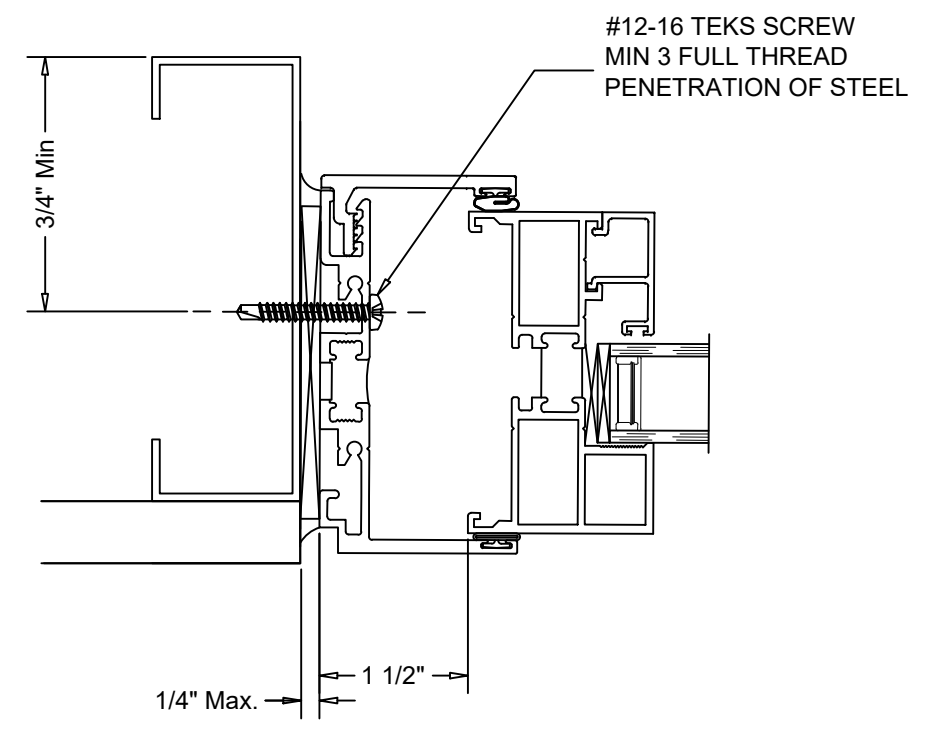
Drawn By: BUD  
Date: 10-05-2023

Project Name:  
**M600 A/F & F/A  
RECEPTOR - WOOD  
INSTALLATION INSTRUCTIONS**



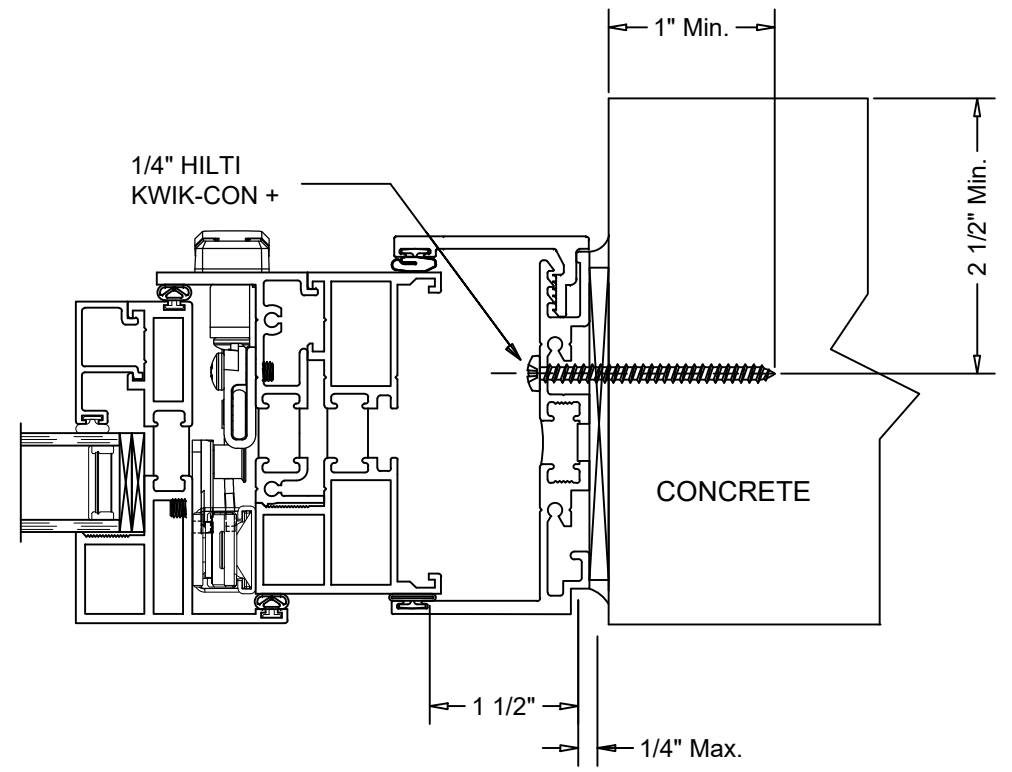
# M600 AWNING -FIXED & FIXED-AWNING WINDOW - RECEPTOR - ADDITIONAL SUBSTRATES

5 Alt



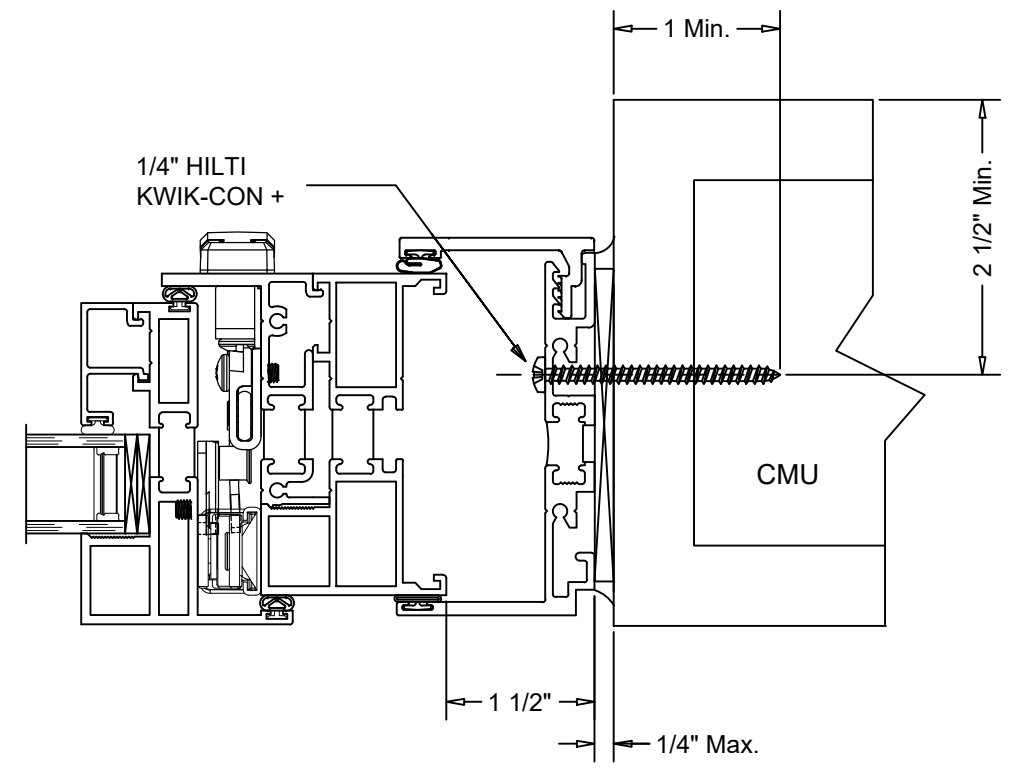
Anchor Spacing	
Head & Sill	13" O.C.
Jambs	8" O.C.

6 Alt



Anchor Spacing	
Head & Sill	15" O.C.
Jambs	15" O.C.

6 Alt



Tanya A. Dolby, P.E.  
Intertek-ATI  
130 Derry Ct., York, PA 17406  
(717) 764-7700  
Project Q3930.01-122-34

Project Name:  
**M600 A/F & F/A  
RECEPTOR - OTHER  
INSTALLATION INSTRUCTIONS**

**GENERAL NOTES**  
QUAKER WINDOW PRODUCTS  
WILL NOT BE RESPONSIBLE  
FOR FIELD MEASUREMENT,  
QUANTITIES, & INSTALLATION  
DESIGN. CONTRACTOR MUST  
VERIFY ALL DIMENSIONS.

PHONE (573)-744-5211  
FAX (573)-744-5586  
COMMERCIAL  
FAX (573)-744-5822  
www.quakerwindows.com

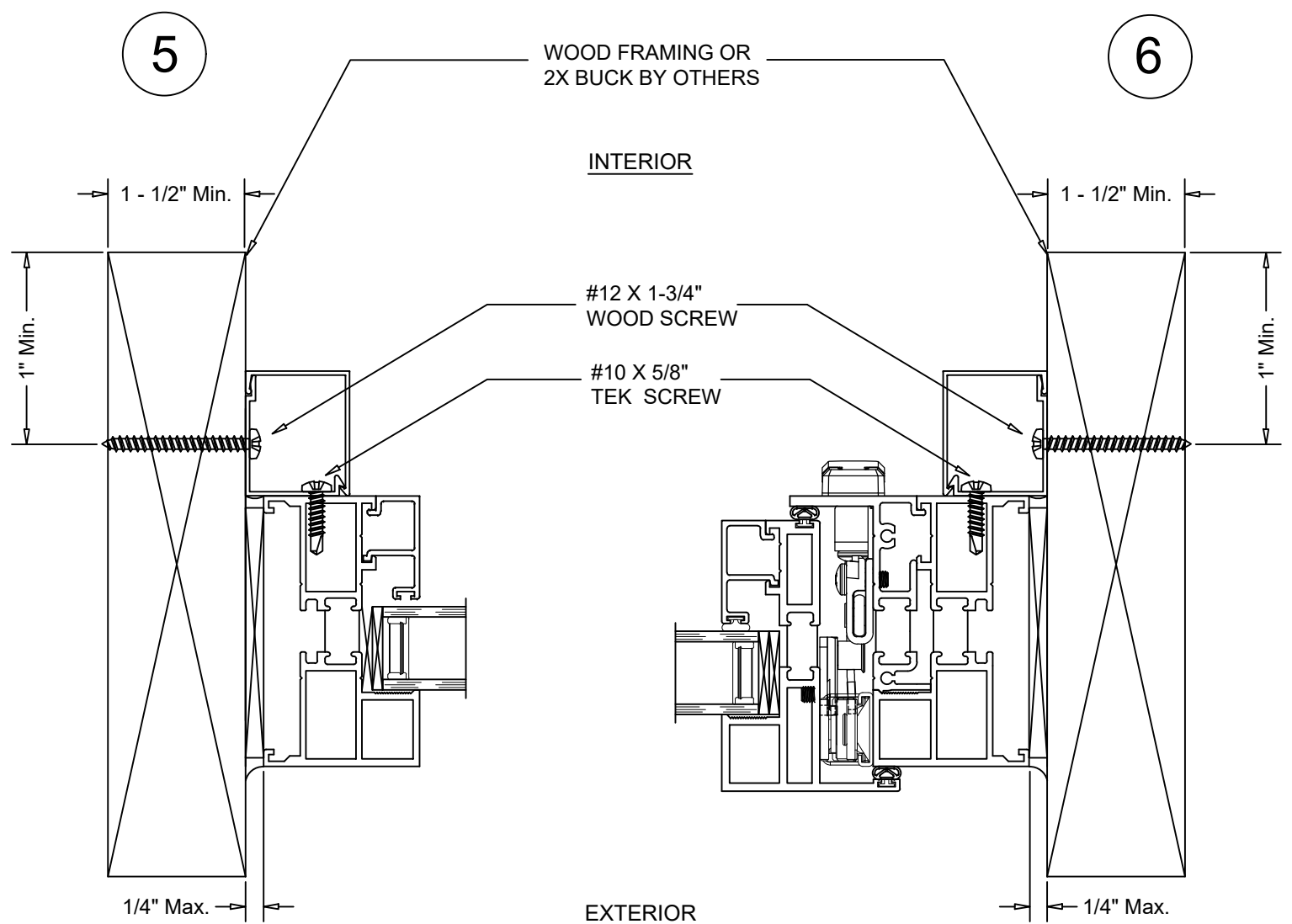
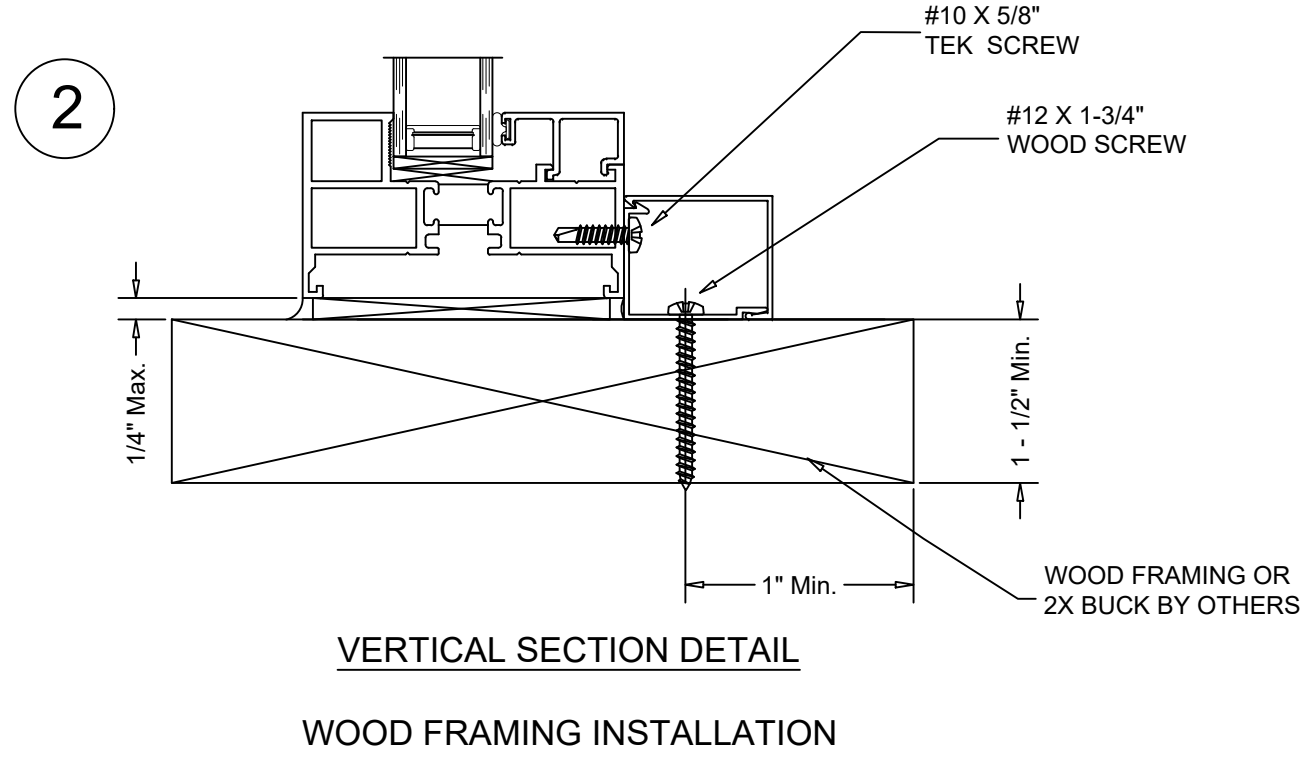
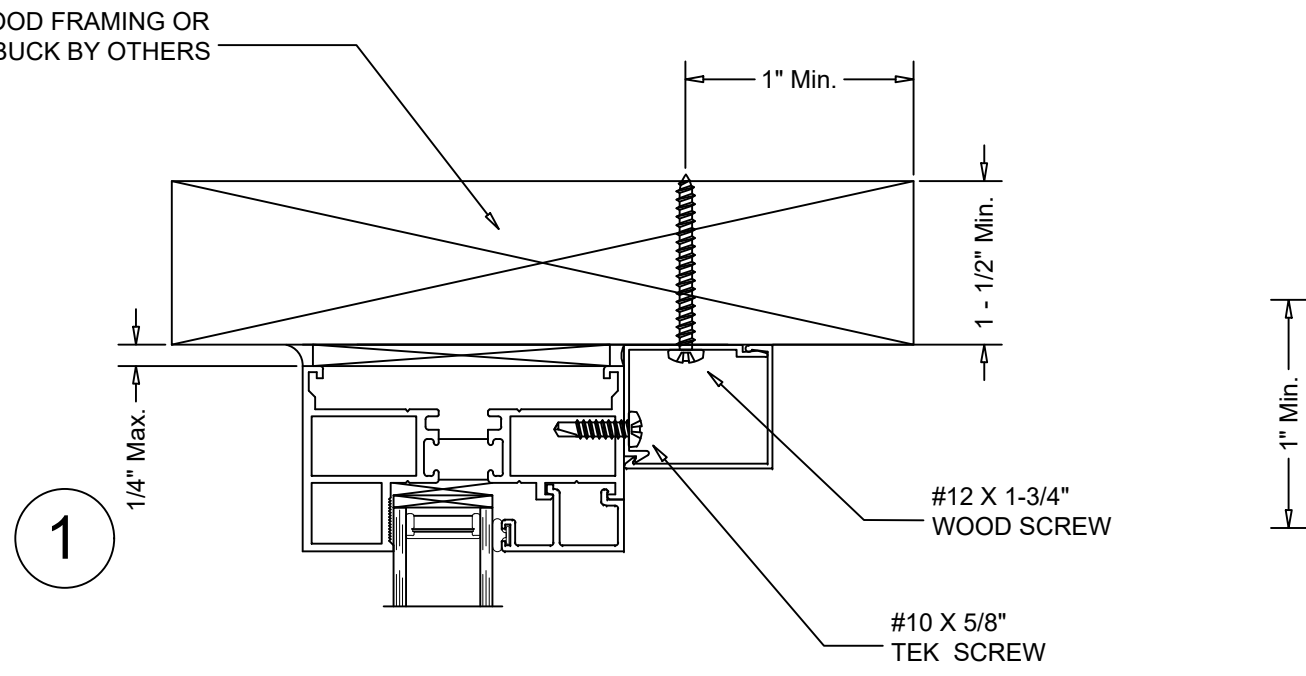
Scale: NONE  
504 Highway 63 South  
Freeburg, MO 65035  
drafting@quakerwindows.com

Drawn By: BUD  
Date: 10-05-2023

Sheet #: 5 of 7



# M600 AWNING -FIXED & FIXED-AWNING WINDOW - TRIM & CLIP - WOOD SUBSTRATE



Anchor Spacing	
Head & Sill	14" O.C.
Jams	9" O.C.

Note:  
See sheet 2 for Details 3 & 4

Tanya A. Dolby, P.E.  
Intertek-ATI  
130 Derry Ct., York, PA 17406  
(717) 764-7700  
Project Q3930.01-122-34

Project Name: **M600 A/F & F/A TRIM & CLIP - WOOD**

**GENERAL NOTES**

QUAKER WINDOW PRODUCTS WILL NOT BE RESPONSIBLE FOR FIELD MEASUREMENT, QUANTITIES, & INSTALLATION DESIGN. CONTRACTOR MUST VERIFY ALL DIMENSIONS.

PHONE (573)-744-5211  
FAX (573)-744-5586  
COMMERCIAL  
FAX (573)-744-5822  
www.quakerwindows.com

Scale: NONE

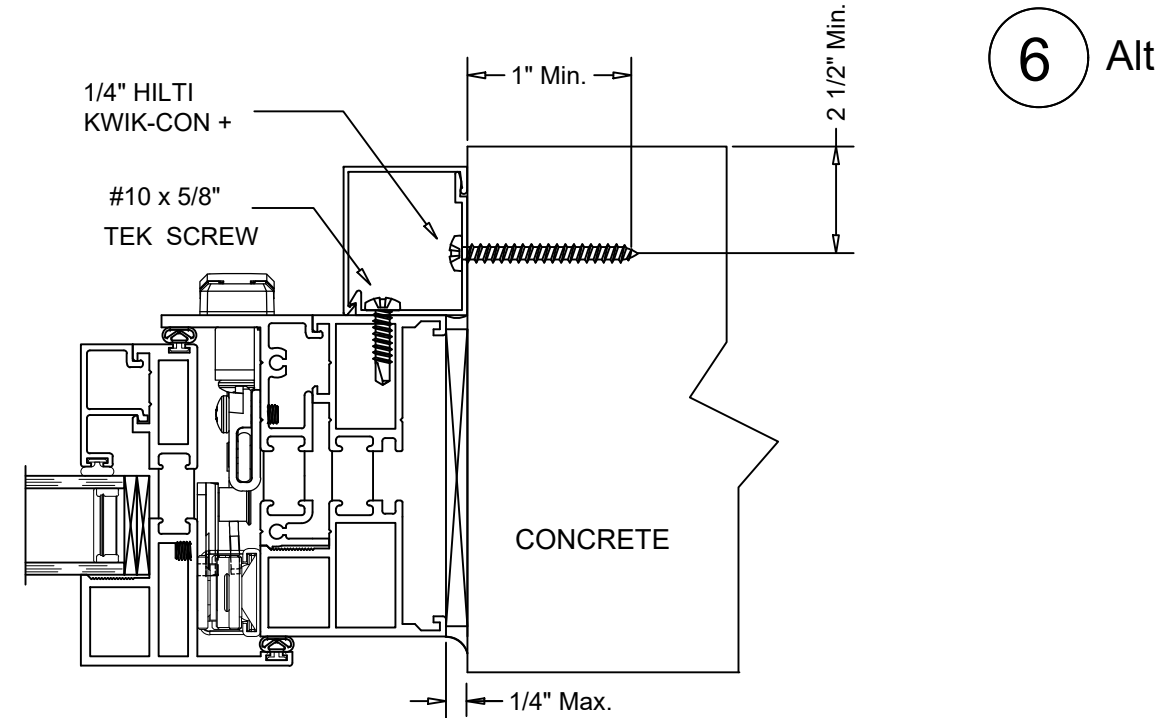
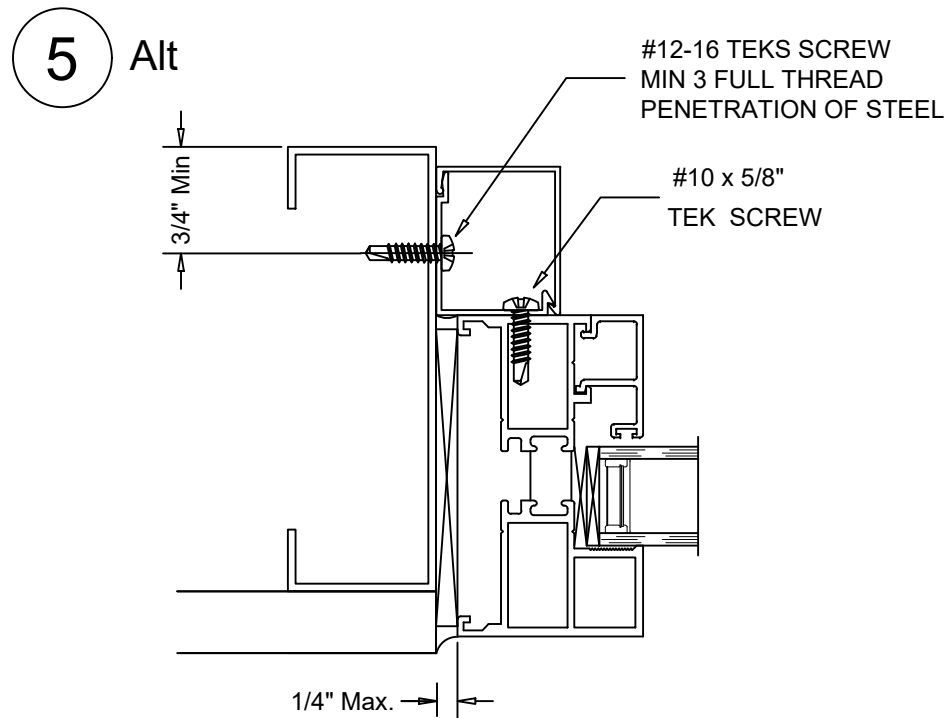
504 Highway 63 South  
Freeburg, MO 65035  
drafting@quakerwindows.com

Drawn By: BUD

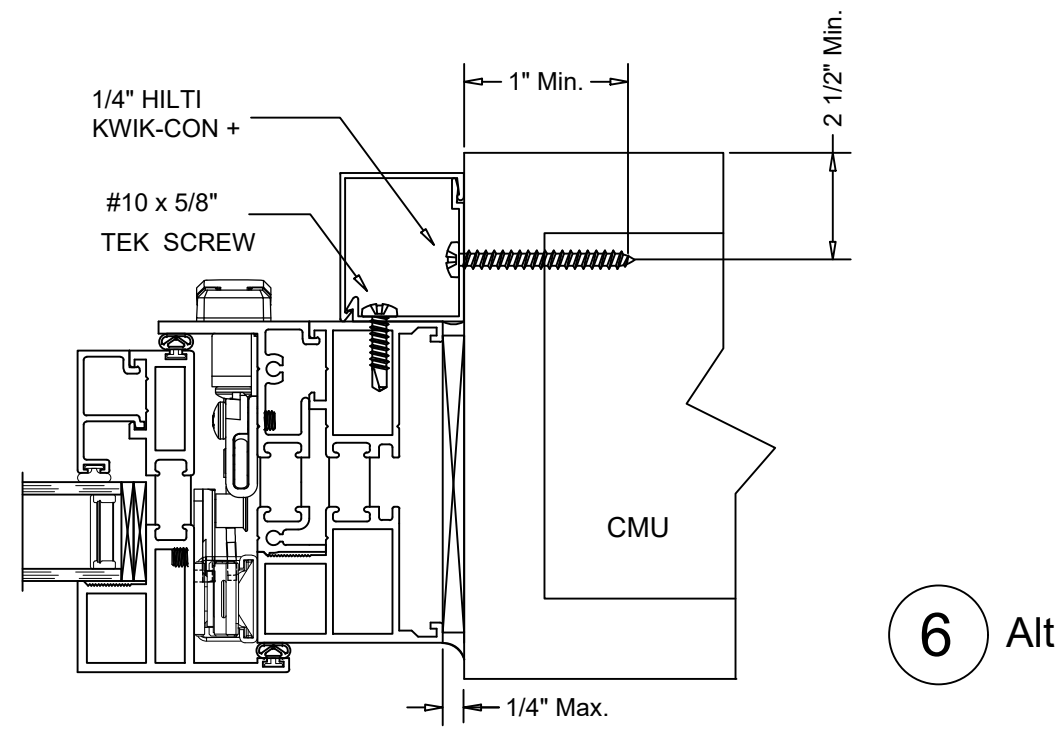
Date: 10-05-2023

Sheet #: 6 of 7

# M600 AWNING -FIXED & FIXED-AWNING WINDOW - TRIM & CLIP - ADDITIONAL SUBSTRATES



Anchor Spacing	
Head & Sill	14" O.C.
Jamb	9" O.C.



Tanya A. Dolby, P.E.  
Intertek-ATI  
130 Derry Ct., York, PA 17406  
(717) 764-7700  
Project Q3930.01-122-34

Project Name:		M600 A/F & F/A TRIM & CLIP - OTHER INSTALLATION INSTRUCTIONS	
Description:		GENERAL NOTES QUAKER WINDOW PRODUCTS WILL NOT BE RESPONSIBLE FOR FIELD MEASUREMENT, QUANTITIES, & INSTALLATION DESIGN. CONTRACTOR MUST VERIFY ALL DIMENSIONS.	
PHONE (573)-744-5211 FAX (573)-744-5586 COMMERCIAL www.quakerwindows.com	Scale:	NONE	
504 Highway 63 South Freeburg, MO 65035 drafting@quakerwindows.com	Drawn By:	BUD	
Date:	10-05-2023		
			Sheet #: 7 of 7